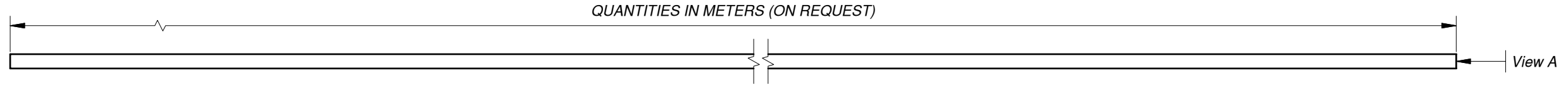
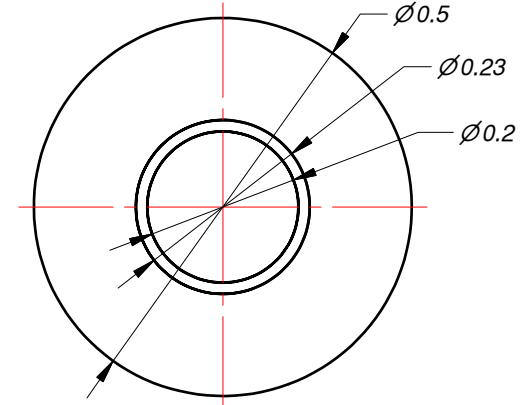


ZLHWF - STANDARD TEFZEL JACKET HARD POLYMER FIBERS		
ACTIVE DIAMETER FROM 100 TO 500 [MICRONS]	ACTIVE DIAMETER FROM 500 TO 1000 [MICRONS]	ACTIVE DIAMETER MORE THEN 1000 [MICRONS]
ZLHWF200/230T//500	ZLHWF600/630T//950	ZLHWF1000/1035T//1400
ZLHWF300/330T//700	ZLHWF600/630T//1040	ZLHWF1000/1070T//1400
ZLHWF400/430T//730	ZLHWF800/830T//1240	

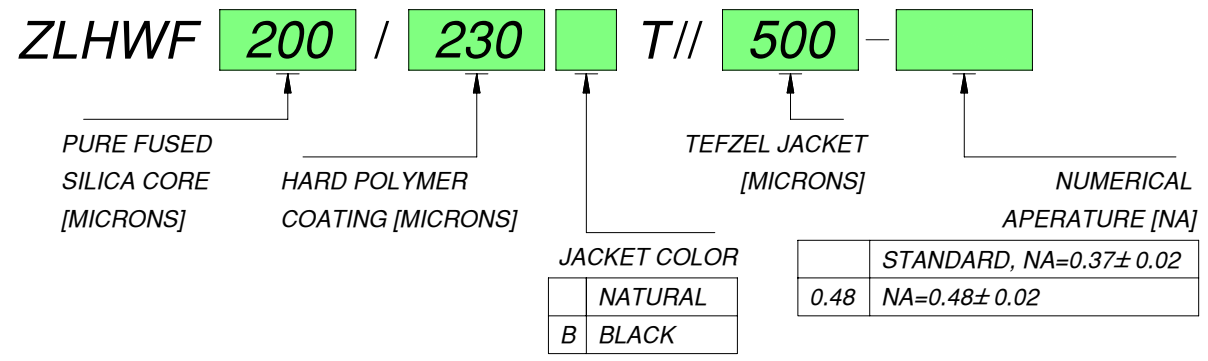
- NOTES:
1. HERAEUS INFRASILL 301 ROAD .
 2. EXCELLENT TRANSMISSION IN THE RANGE 400-1600 NM.
 3. HIGH POWER LASER TRANSMISSION.
 4. STRESS PROOF LOAD 100KPSI.
 5. OPERATION TEMPERATURE FROM -40°C TO +150°C

VIEW A
FIBER CONSTRUCTION
EXAMPLE: ZLHWF200/230T//500



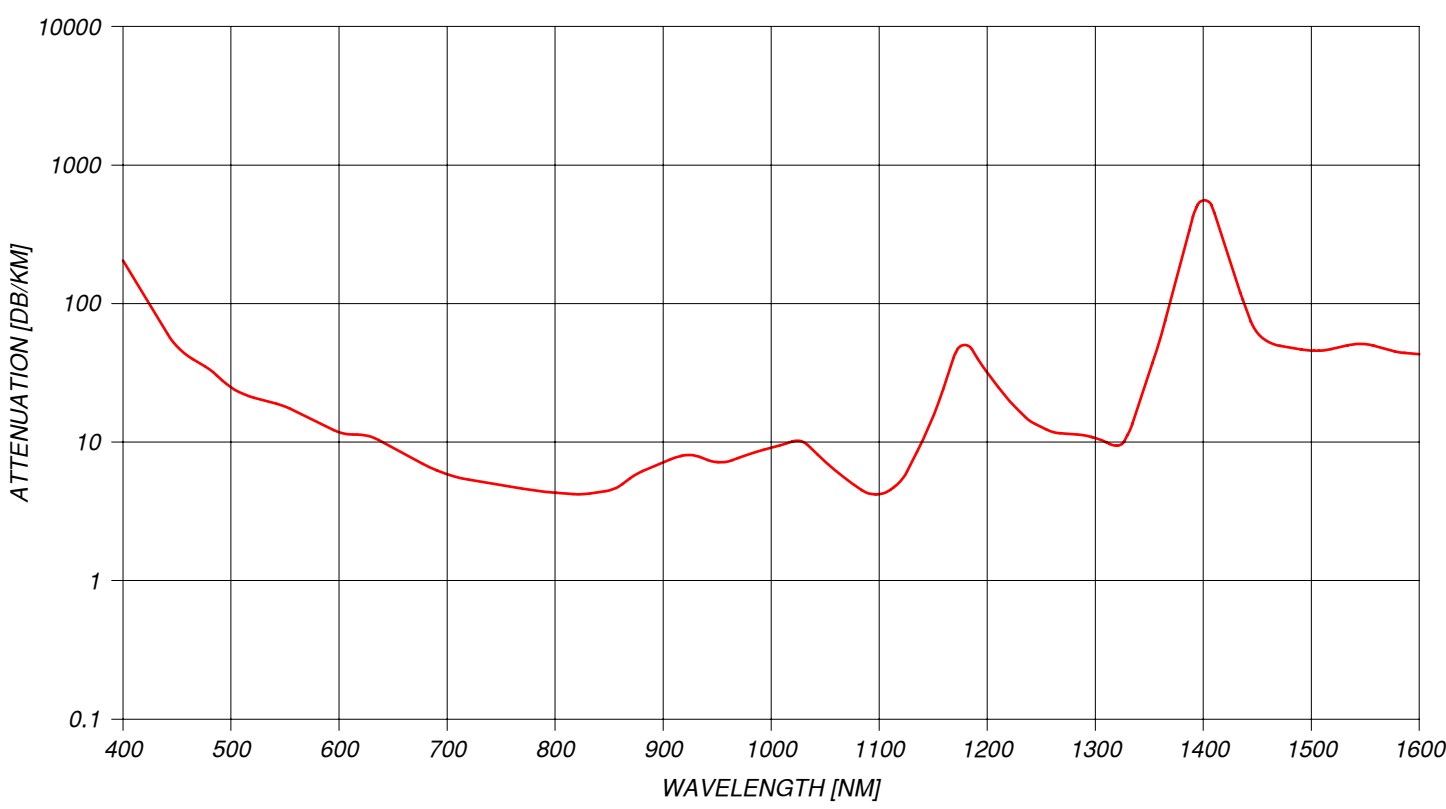
OTHER FIBER DIMENSION AVAILABLE ON REQUEST.
PLEASE CONTACT US FOR DISCUSSIONS.

FIBER CODE EXPLANATION



OTHER FIBER DIMENSION AVAILABLE ON REQUEST.
PLEASE CONTACT US FOR DISCUSSIONS.

TYPICAL FIBER ATTENUATION



TITLE: **ZLHWF - TEFZEL JACKET HARD POLYMER FIBERS**

SIZE: A3	DRAWING NO.: ZLHWF-002-00	REV.: A
FILE NAME: ZLHWF-TEFZEL.idw	ITEM NO.:	
COMPANY: Z-LIGHT, LTD.	CODE NO.:	
HOME PAGE: HTTP://WWW.Z-LIGHT.LV	ORDER NO.:	
SCALE: DO NOT SCALE	DIMENSIONS ARE IN MM	SHEET 1 OF 1