

ZLHUV - STANDARD TEFZEL JACKET HARD POLYMER FIBERS

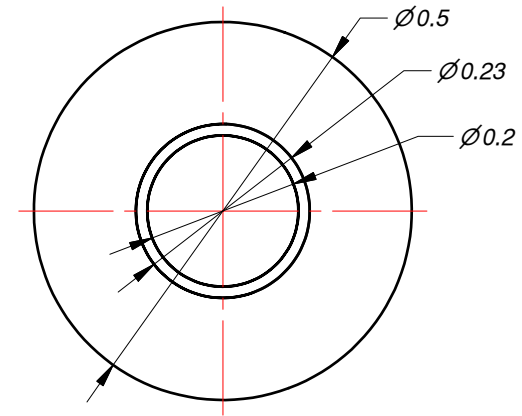
NOTES:

1. HERAEUS SUPRASIL 311 ROAD .
2. EXCELLENT TRANSMISSION IN THE RANGE 300-11600 NM.
3. HIGH POWER LASER TRANSMISSION.
4. STRESS PROOF LOAD 100KPSI.
5. OPERATION TEMPERATURE FROM -40°C TO +150°C

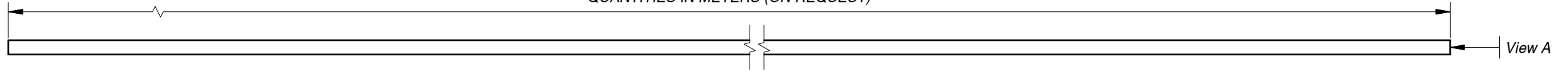
ACTIVE DIAMETER FROM 100 TO 500 [MICRONS]	ACTIVE DIAMETER FROM 500 TO 1000 [MICRONS]	ACTIVE DIAMETER MORE THEN 1000 [MICRONS]
ZLHUV200/230T//500	ZLHUV600/630T//950	ZLHUV1000/1035T//1400
ZLHUV300/330T//700	ZLHUV600/630T//1040	ZLHUV1000/1070T//1400
ZLHUV400/430T//730	ZLHUV800/830T//1240	

OTHER FIBER DIMENSION AVAILABLE ON REQUEST.  
PLEASE CONTACT US FOR DISCUSSIONS.

VIEW A  
FIBER CONSTRUCTION  
EXAMPLE: ZLHUV200/230T//500



QUANTITIES IN METERS (ON REQUEST)



FIBER CODE EXPLANATION

ZLHUV 200 / 230 T// 500 - 0.48

PURE FUSED  
SILICA CORE  
[MICRONS]

HARD POLYMER  
COATING [MICRONS]

TEFZEL JACKET  
[MICRONS]

NUMERICAL  
APERATURE [NA]

JACKET COLOR

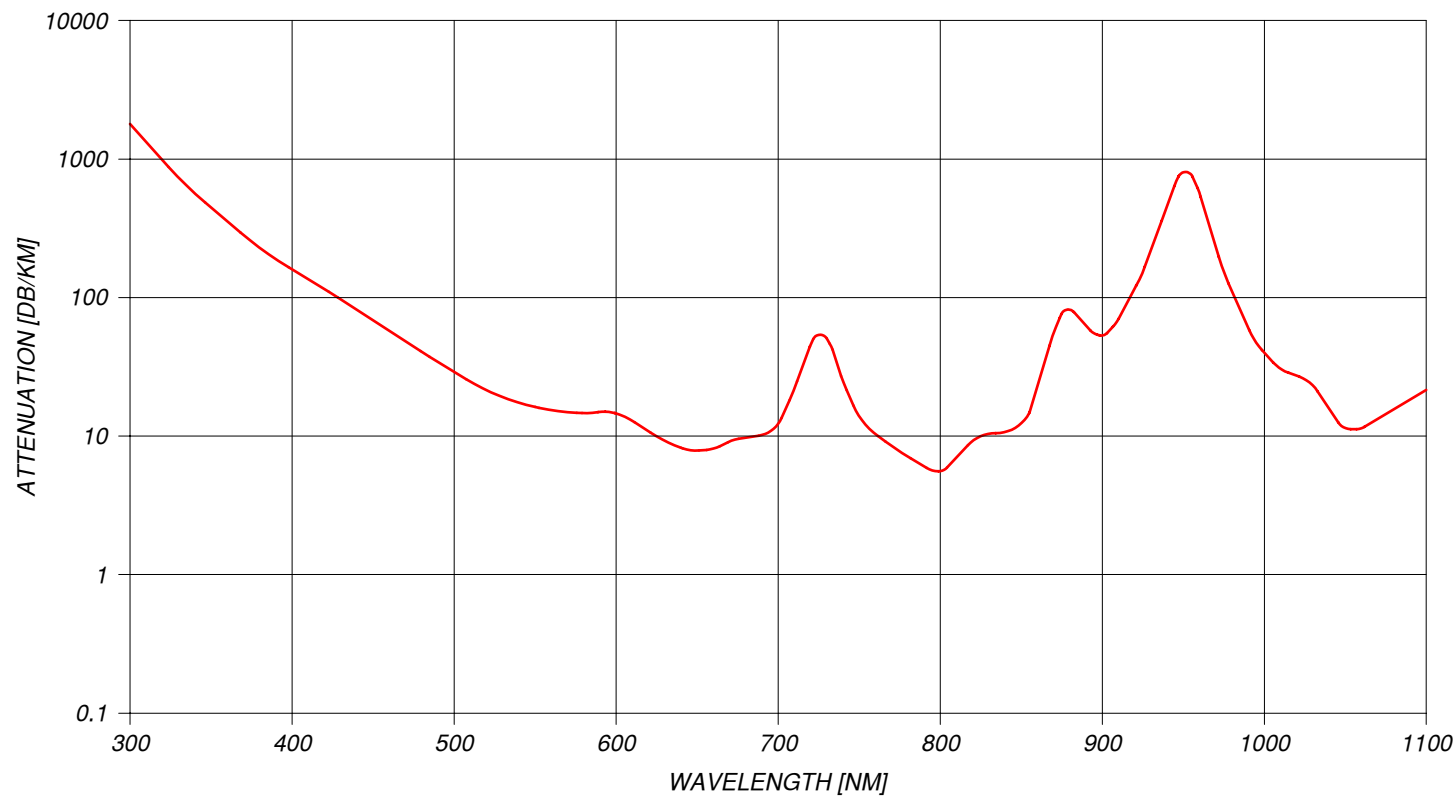
NATURAL
B BLACK

STANDARD, NA=0.37±0.02

0.48 NA=0.48±0.02

OTHER FIBER DIMENSION AVAILABLE ON REQUEST.  
PLEASE CONTACT US FOR DISCUSSIONS.

TYPICAL FIBER ATTENUATION



TITLE: ZLHUV - TEFZEL JACKET  
HARD POLYMER FIBERS

SIZE: A3 DRAWING NO.: ZLHUV-002-00 REV.: A

FILE NAME: ZLHUV-TEFZEL.idw ITEM NO.:

COMPANY: Z-LIGHT, LTD. CODE NO.:

HOME PAGE: HTTP://WWW.Z-LIGHT.LV ORDER NO.:

SCALE: DO NOT SCALE DIMENSIONS ARE IN MM SHEET 1 OF 1